

HSAJET® MiniKey

MK-HP



Coding & Marking made simple and fast.
A compact printer with integrated printheads.
Ideal for integration in packaging lines.



MiniKey printer based upon HP TIJ 2.5 technology

The HSAJET® MiniKey is based upon reliable HP TIJ2.5 technology which offers consistent, high quality, fast printing. The printer's user-interface is so easy to use, that it requires very little or no training.

The MiniKey is a very low-cost printer, yet powerful with all necessary functions available.

An 'All-In-One' printer

The MiniKey is an 'out of the box' unit. Mount an ink-cartridge in the head, connect to power and print instantly by pushing a button.

New print-messages are easily made - straight from the keyboard or loaded from USB key or via the LAN or RS232 connection.

The basic unit comes with a 1/2" integrated printhead with built-in product sensor.

Trouble free user interface

A 320x240 pixel graphical colour display showing intuitive icons ensures a clear understanding when choosing the functions from the keyboard.

Choose from 1/2" - 2" printheight

The HSAJET® MiniKey is available with an integrated 1 or 2-pen printhead.

If another printhead is required it can easily be plugged in with a cable. Having two printheads enables double-sided printing.

No time between prints

While first print is in action next print is ready to go.

Print at breakthrough speeds of up to 300 m/min in 300 x 150 dpi

- 50 WINDOWS TRUE TYPE FONTS
- BITMAPS
- COUNTERS
- FIXED TEXT
- REAL-TIME PRINTING
- SHIFT CODES
- DATE & TIME
- LINEAR BARCODES
- PRINTLOG

Technical Details

HSAJET MINIKEY MK-HP

Easy-to-use icon-based printer software

- ADD, EDIT OR REMOVE PRINT OBJECTS
- EASY CREATION OF PRINTJOBS
- PRINT QUEUE MAKES CHANGING OF LAYOUTS EASIER
- INK LEVEL VISUALIZER AND ALARM
- THE PC-BASED MINI-DRAW SOFTWARE EASES BUILDING OF PRINTJOBS. TRANSFER TO MINIKEY VIA ETHERNET OR USB-STICK

Advanced administrator options in software

- USER LEVEL MANAGEMENT
- MULTIPLE LANGUAGES
- PROMPT FUNCTIONS
- VALIDATE JOBS PRIOR TO PRINTING
- LOCAL SETTINGS FOR DATE, WEEK, YEAR
- FACTORY CONTROL READ-OUT

Resolution (DPI)	Max. speed (m/min)
600 x 600	38
300 x 300	76
300 x 300 HS	152
300 x 150	306

Technical Data:

Interface: 100 Mbit Ethernet, RS232, USB
Memory: 250 Mb (min) internal
4 Gb (optional)

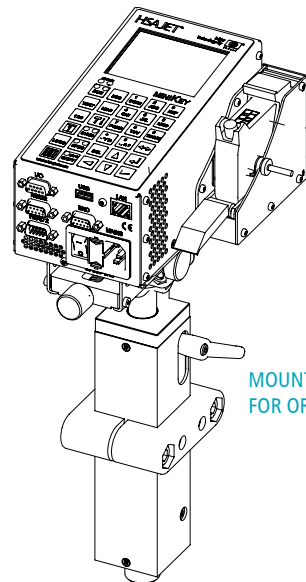
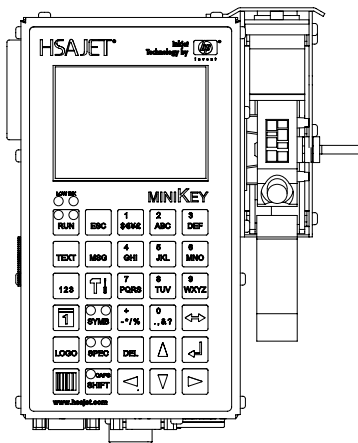
Connections: Encoder
External product sensor
Extra printheads

Power supply: 85-240V 50/60Hz

Dim (LxWxH): 187 x 102 x 76/106 mm

Including 0,5" printer:
Dim (LxWxH): 187 x 141 x 76/106 mm

CE compliant



MOUNTING KIT IS AVAILABLE,
FOR ORDER, SEPARATELY

Inkjet
Technology by 
invent

DEALER:


HSA SYSTEMS
A UNIQUE IMPRINT

HSA Systems Denmark
DK-2740 SKOVLUNDE | +45 4494 0222 || DK-5260 ODENSE S | +45 6610 3401

HSA Systems France
F-93160 NOISY-LE-GRAND | +33 1 4815 5050
www.hsasystems.com | mail@hsasystems.com